

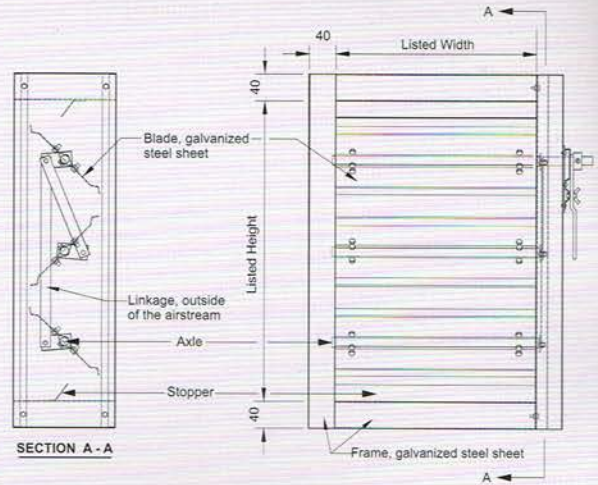
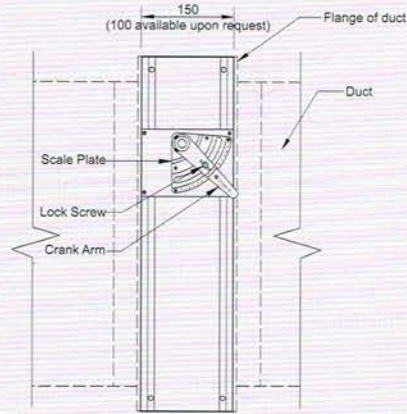


# Duct Dampers/ Silencers

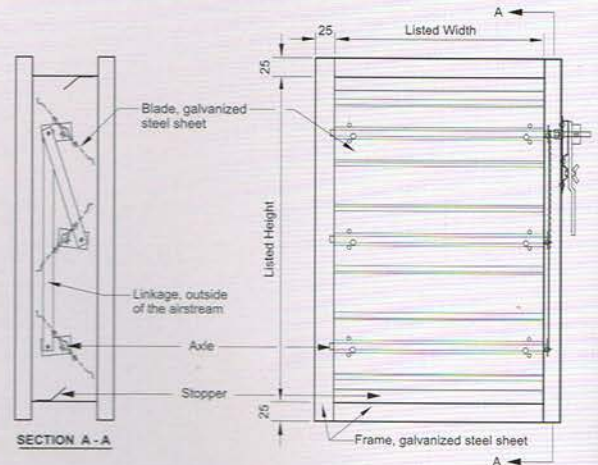
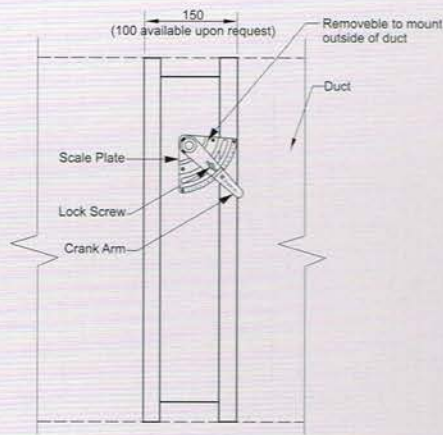


Type : VD

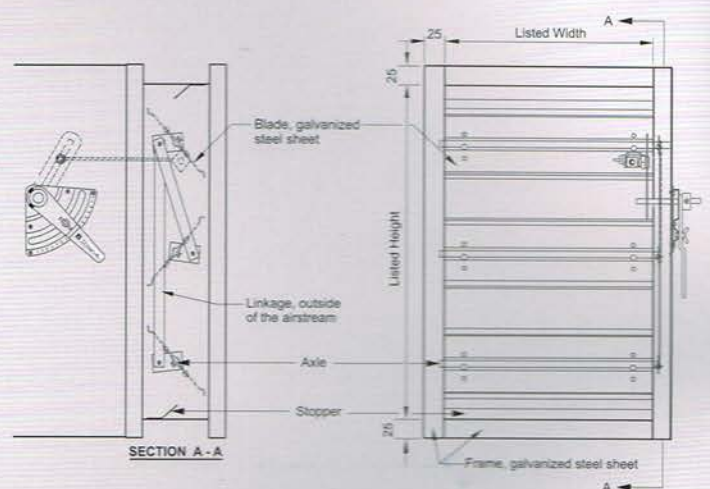
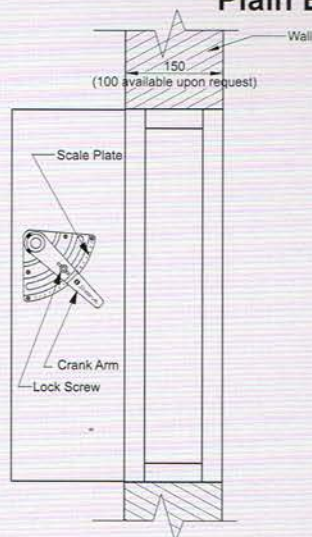
## Flange Type



## Plain End Type



## Plain End Type



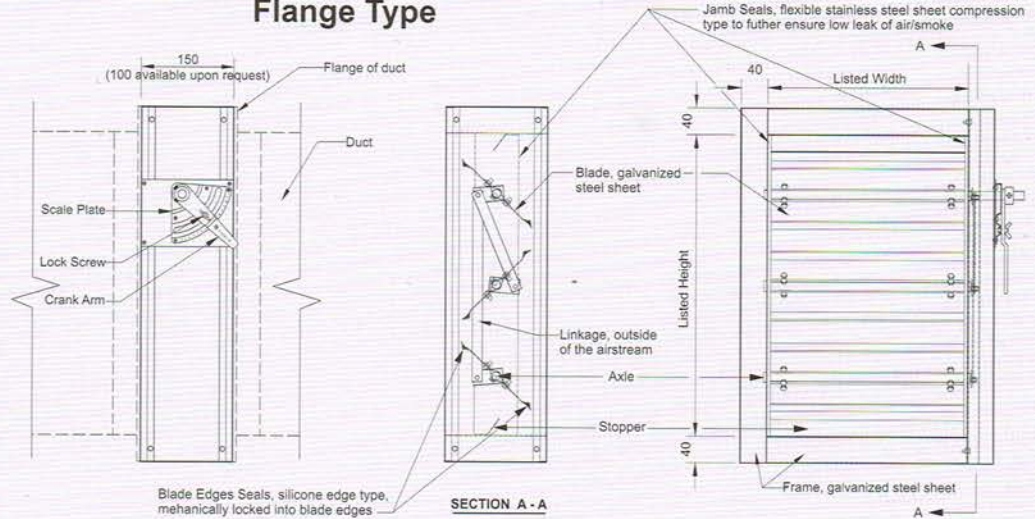
Constructed of galvanized steel sheet, rectangular shaped, high strength structure. Linkage designed to be outside of airstream (concealed in frame). Blade(s) can be adjusted manually from full open to full close in opposed pattern for high effectiveness in air volume control performance. Lockable crank arm for manual adjusting the blades with scale plate in quadrant pattern for indicating the blade position setting are also completely equipped. Suitable for mounting to duct lines, building sidewalls or shafts to control volume of supply, exhaust or fresh air manually.

# Volume Damper

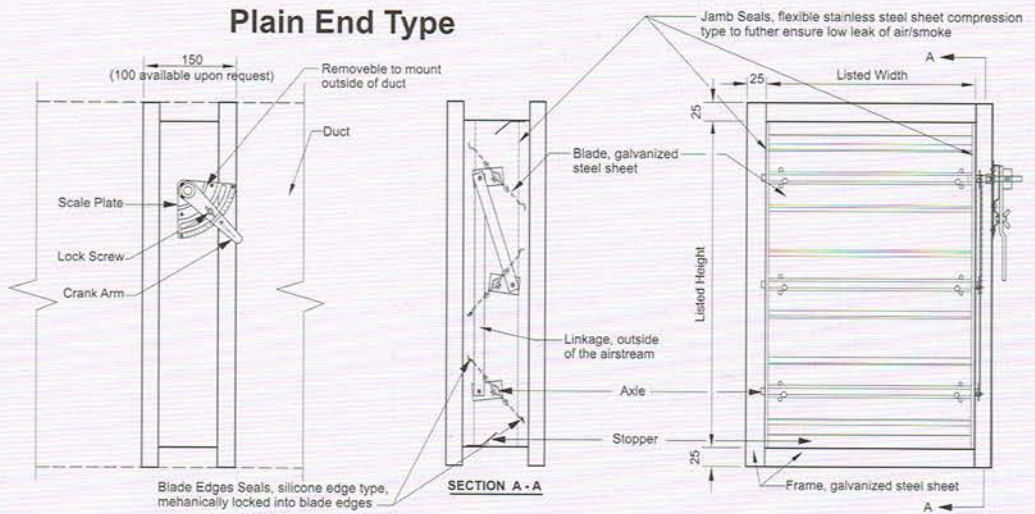


Type : VL

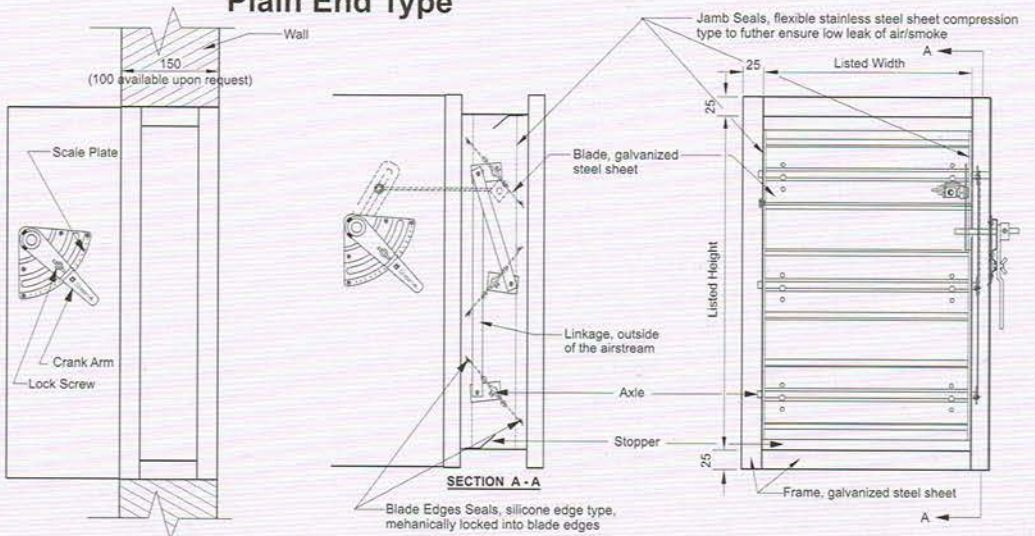
## Flange Type



## Plain End Type



## Plain End Type



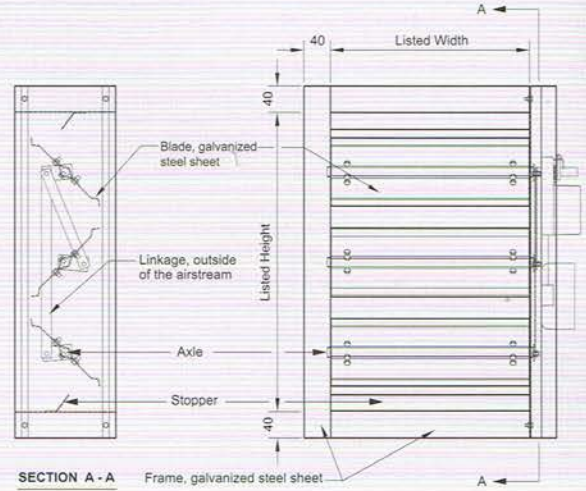
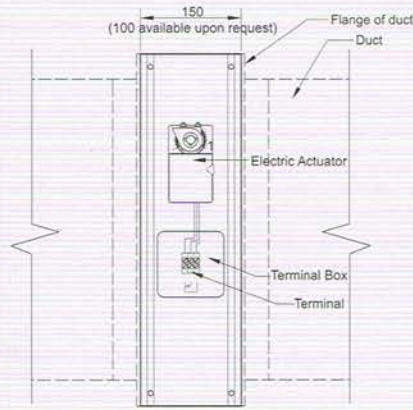
Constructed of galvanized steel sheet, rectangular shaped, high strength structure. Linkage designed to be outside of airstream (concealed in frame). Blade edge seals are silicone edge type, mechanically locked into blade edges. Jamb seals are flexible stainless steel sheet compression type to further ensure low leak of air/smoke with Test Certificate in accordance with Underwriters Laboratories Inc. (UL), UL555S, Classification II (Air/Smoke leakage shall be not greater than 10 CFM/ft<sup>2</sup> at pressure difference 1 in.wg., or 20 CFM/ft<sup>2</sup> at pressure difference 4 in.wg. ). Blade(s) can be adjusted manually from full open to full close in opposed pattern for high effectiveness in air volume control performance. Lockable crank arm for manual adjusting the blade(s) with scale plate in quadrant pattern for indicating the blade position setting are also completely equipped. Suitable for mounting to duct lines, building sidewalls or shafts to control volume of supply, exhaust or fresh air manually where low leak is seriously needed.

# Motorized Damper

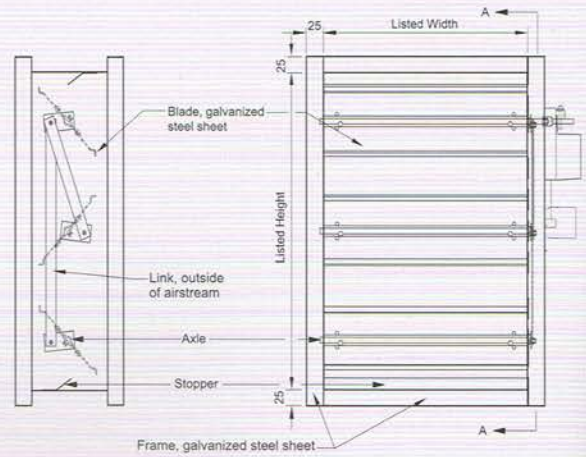
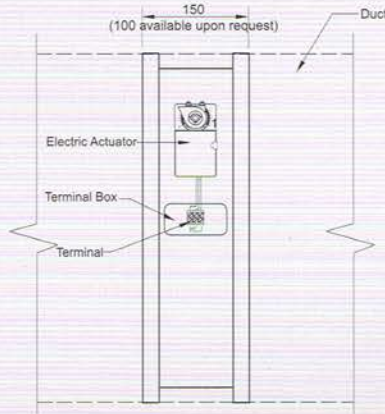


Type : MD

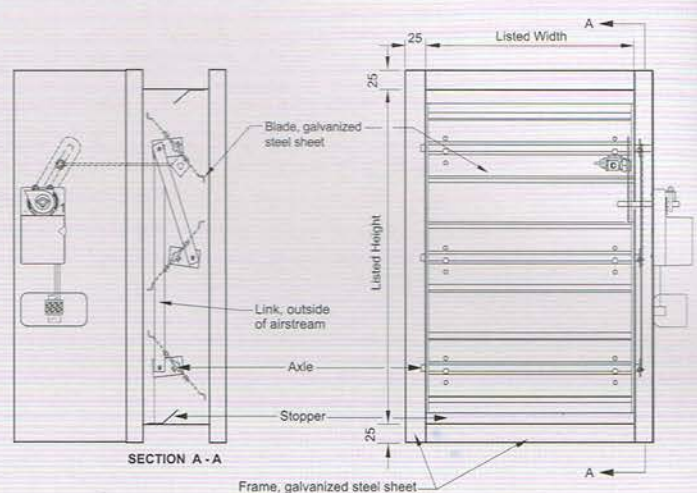
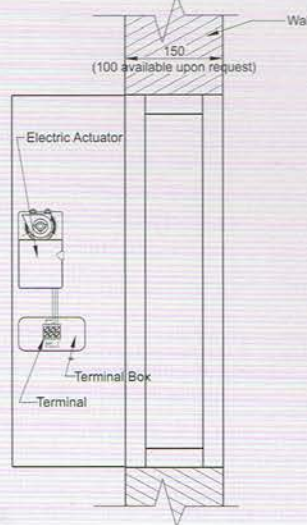
## Flange Type



## Plain End Type



## Plain End Type



Constructed of galvanized steel sheet, rectangular shaped, high strength structure. Linkage designed to be outside of the airstream (concealed in frame). Blade(s) can be controlled automatically by electric actuator from full open to full close in opposed pattern for high effectiveness in air volume control performance. The electric actuator, wiring and terminal are also completely equipped. Suitable for mounting to duct lines, building sidewalls or shafts to control volume of supply, exhaust, fresh or pressurized air automatically.

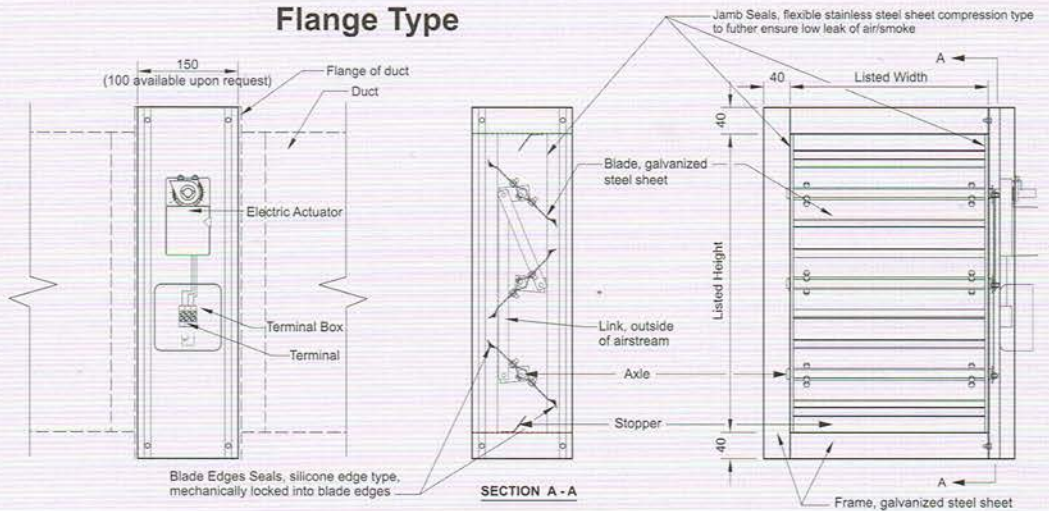
( Measurement : mm )

# Motorized Damper

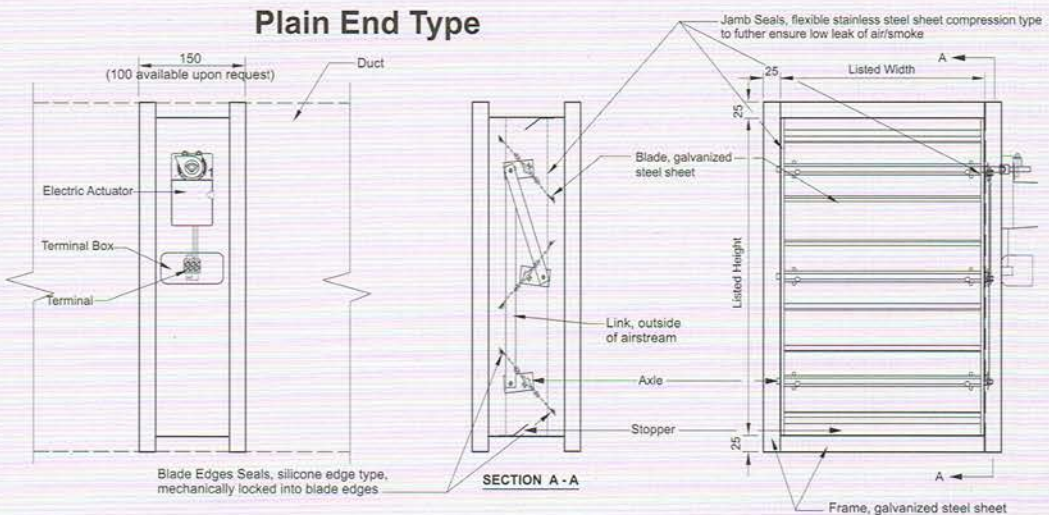


Type : ML

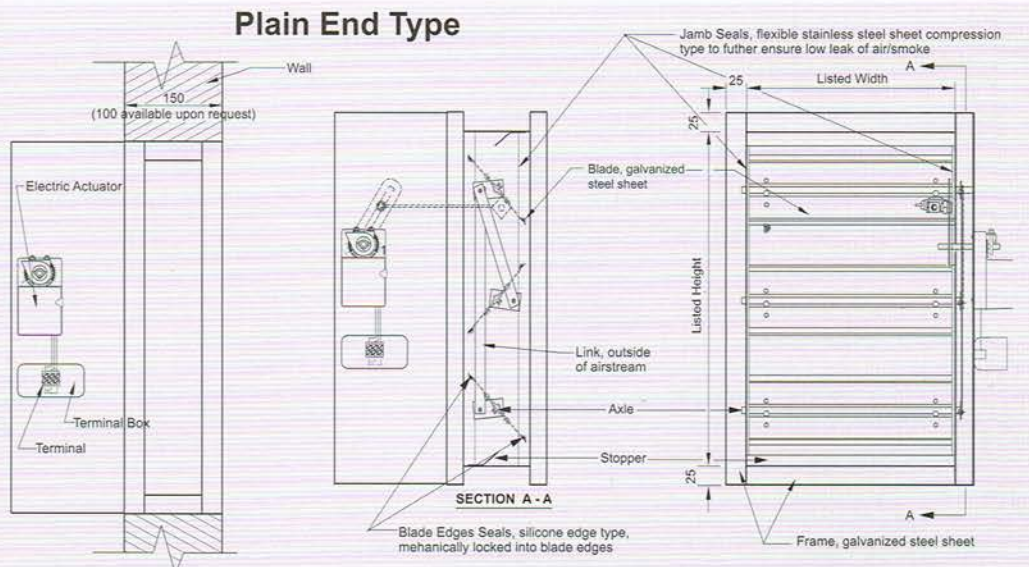
## Flange Type



## Plain End Type



## Plain End Type



Constructed of galvanized steel sheet, rectangular shaped, high strength structure. Linkage designed to be outside of airstream (concealed in frame). Blade edge seals are silicone edge type, mechanically locked into blade edges. Jamb seals are flexible stainless steel sheet compression type to further ensure low leak of air/smoke with Test Certificate in accordance with Underwriters Laboratories Inc. (UL), UL555S, Classification II (Air/Smoke leakage shall be not greater than 10 CFM/ft<sup>2</sup> at pressure difference 1 in.wg., or 20 CFM/ft<sup>2</sup> at pressure difference 4 in.wg.). Blade(s) can be controlled automatically by electric actuator from full open to full close in opposed pattern for high effectiveness in air volume control performance. The electric actuator, wiring and terminal are also completely equipped. Suitable for mounting to duct lines, building sidewalls or shafts to control volume of supply, exhaust, fresh or pressurized air automatically where low leak is seriously needed.

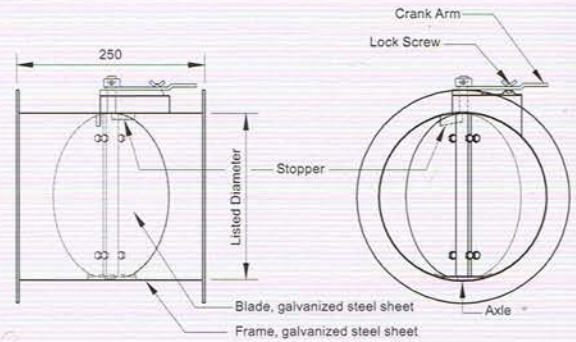
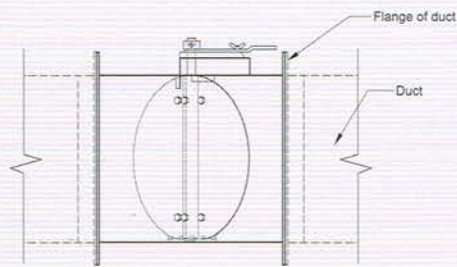
# Round Volume Damper



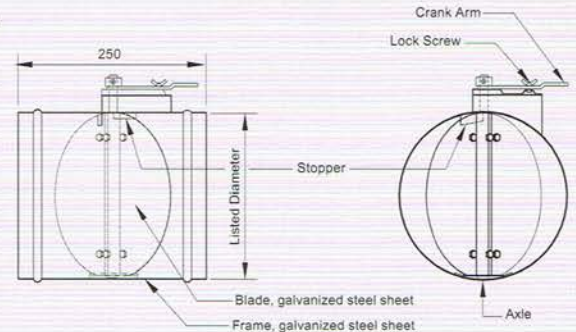
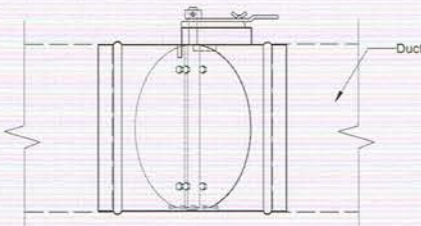
Type : RVD

Ordinary

## Flange Type



## Plain End Type

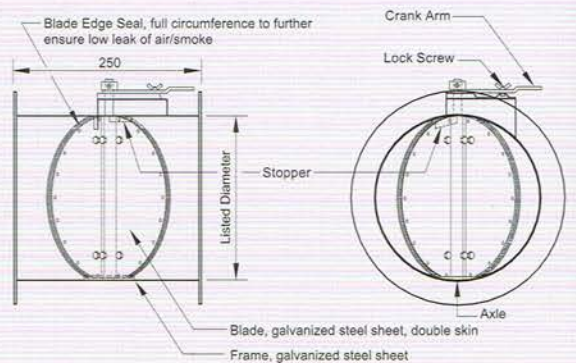
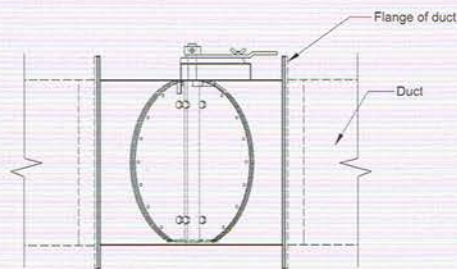


Constructed of galvanized steel sheet, round shaped, single round blade can be adjusted manually from full open to full close. Lockable crank arm for adjusting blade with scale plate in quadrant pattern for indicating the blade position setting are also completely equipped. Suitable for connecting between flexible ducts and diffuser/grille plenums to control volume of supply, exhaust or fresh air manually.

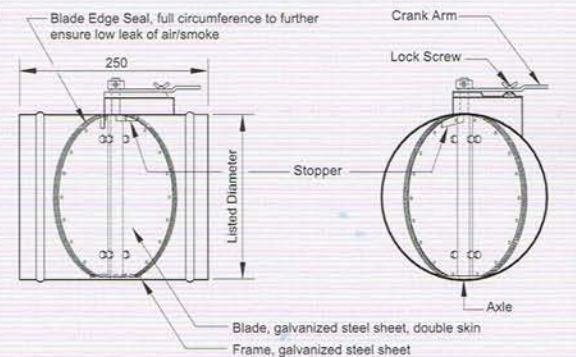
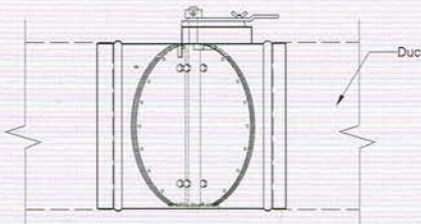
Type : RVL

Low Leak

## Flange Type



## Plain End Type



Constructed of galvanized steel sheet, round shaped, double skin single round blade with full circumference seal to further ensure low leak of air/smoke with Test Certificate in accordance with Underwriters Laboratories Inc. (UL), UL555S, Classification I ( Air/Smoke leakage shall be not greater than 4 CFM/ft<sup>2</sup> at pressure difference 1 in.wg., or 8 CFM/ft<sup>2</sup> at pressure difference 4 in.wg. ). Blade can be adjusted manually from full open to full close. Lockable crank arm for manual adjusting the blade with scale plate in quadrant pattern for indicating the blade position setting are also completely equipped. Suitable for connecting between flexible ducts and diffuser/grille plenums to control volume of supply, exhaust or fresh air manually where low leak is seriously needed.

( Measurement : mm )

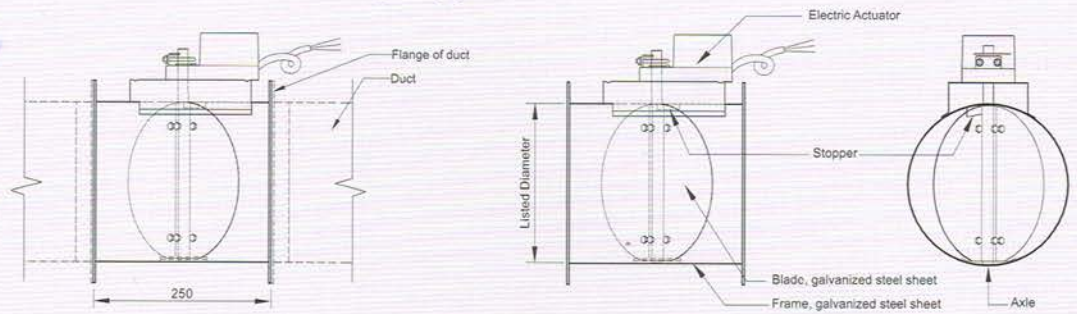
# Round Motorized Damper



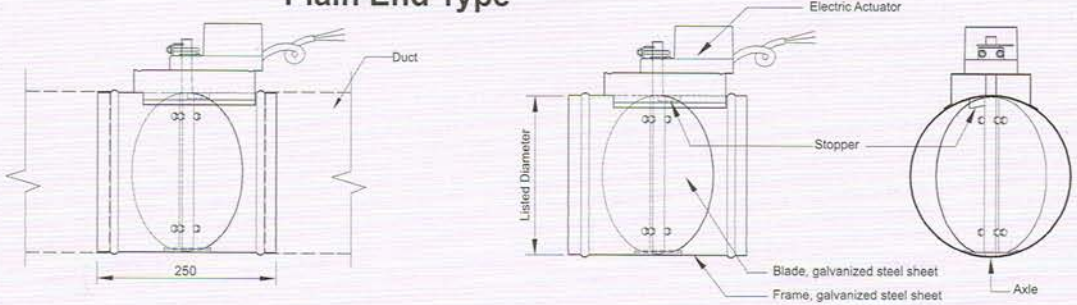
Type : RMD

Ordinary

## Flange Type



## Plain End Type

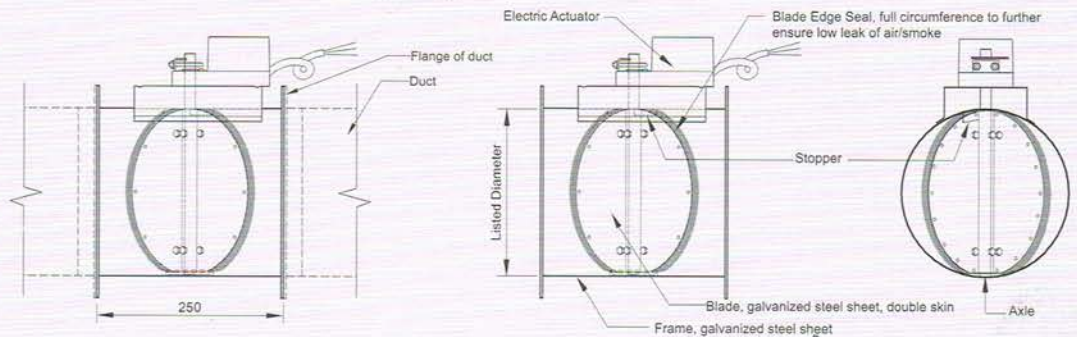


Constructed of galvanized steel sheet, round shaped, single round blade can be controlled automatically by electric actuator from full open to full close. The electric actuator, wiring and terminal are also completely equipped. Suitable for connecting between flexible ducts and diffuser/grille plenums to control volume of supply, exhaust or fresh air automatically.

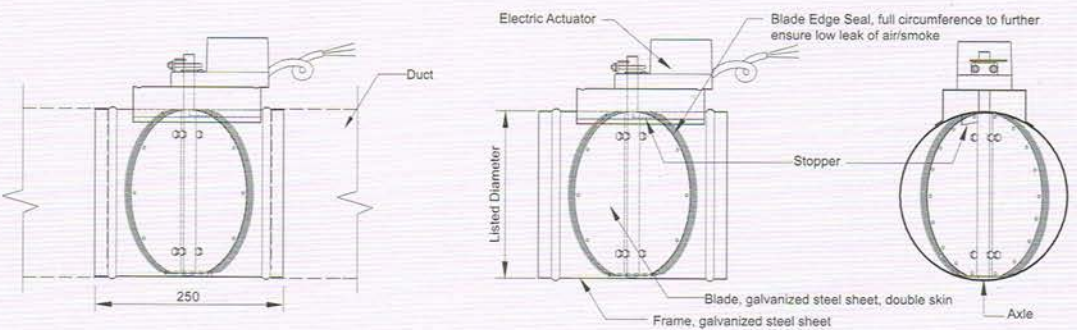
Type : RML

Low Leak

## Flange Type



## Plain End Type



Constructed of galvanized steel sheet, round shaped, double skin single round blade with full circumference seal to further ensure low leak of air/smoke with Test Certificate in accordance with Underwriters Laboratories Inc. (UL), UL555S, Classification I ( Air/Smoke leakage shall be not greater than 4 CFM/ft<sup>2</sup> at pressure difference 1 in.wg., or 8 CFM/ft<sup>2</sup> at pressure difference 4 in.wg. ). Blade can be controlled automatically by electric actuator from full open to full close. The electric actuator, wiring and terminal are also completely equipped. Suitable for connecting between flexible ducts and diffuser/grille plenums to control volume of supply, exhaust or fresh air automatically where low leak is seriously needed.

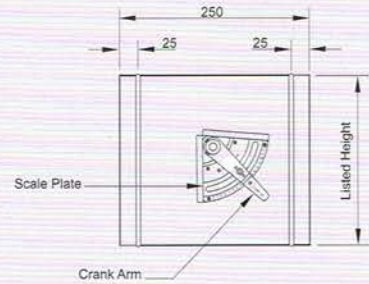
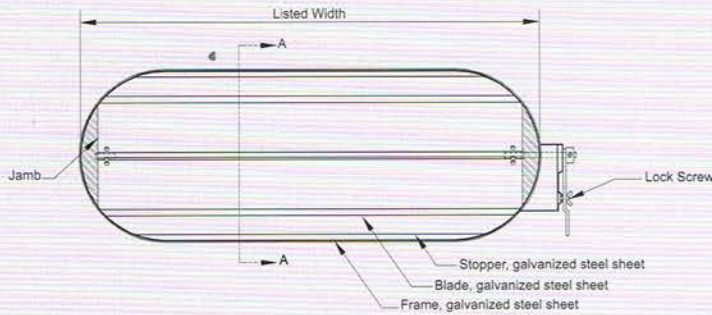
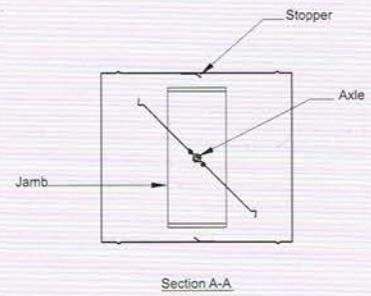
( Measurement : mm )

# Flat Oval Volume Damper



Type : OVD

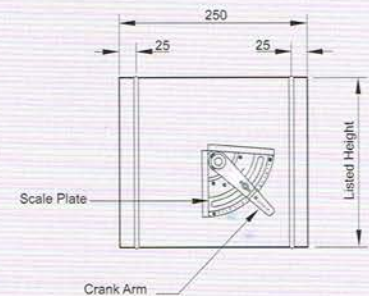
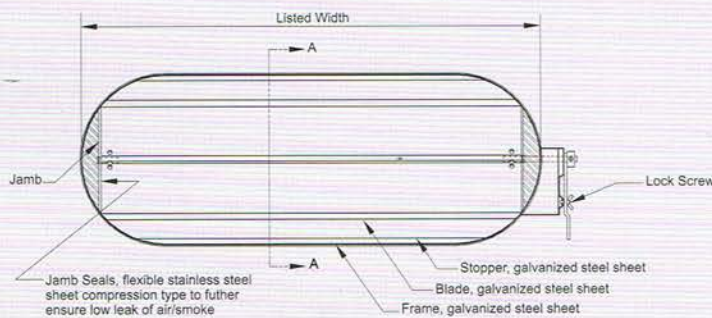
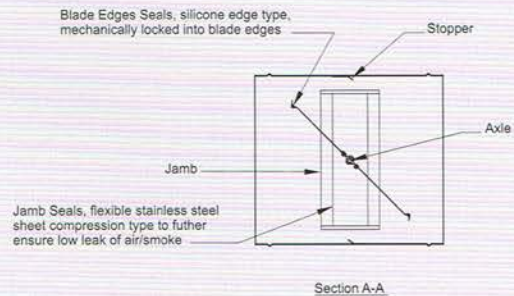
Ordinary



Constructed of galvanized steel sheet, flat oval shaped, single flat oval blade can be adjusted manually from full open to full close. Lockable crank arm for adjusting blade with scale plate in quadrant pattern for indicating the blade position settings are also completely equipped. Suitable for mounting to flat oval duct lines to control volume of supply, exhaust or fresh air manually.

Type : OVL

Low Leak



Constructed of galvanized steel sheet, flat oval shaped. Blade edge seals are silicone edge type, mechanically locked into blade edges. Jamb seals are flexible stainless steel sheet compression type to further ensure low leak of air/smoke with Test Certificate in accordance with Underwriters Laboratories Inc. (UL), UL555S, Classification II ( Air/Smoke leakage shall be not greater than 10 CFM/ft<sup>2</sup> at pressure difference 1 in.wg., or 20 CFM/ft<sup>2</sup> at pressure difference 4 in.wg. ). Single flat oval blade can be adjusted manually from full open to full close. Lockable crank arm for manual adjusting the blade with scale plate in quadrant pattern for indicating the blade position setting are also completely equipped. Suitable for mounting to flat oval duct lines to control volume of supply, exhaust or fresh air manually where low leak is seriously needed.

( Measurement : mm )

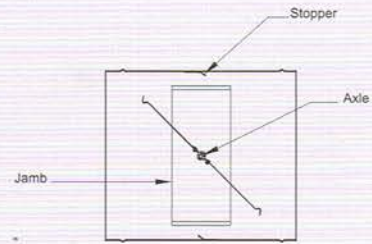


# Flat Oval Motorized Damper

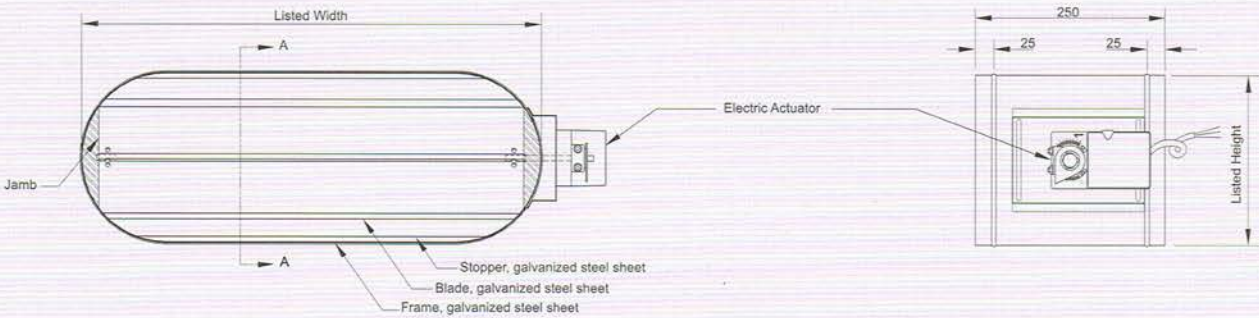


Type : OMD

Ordinary



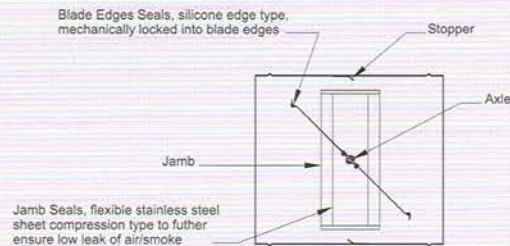
Section A-A



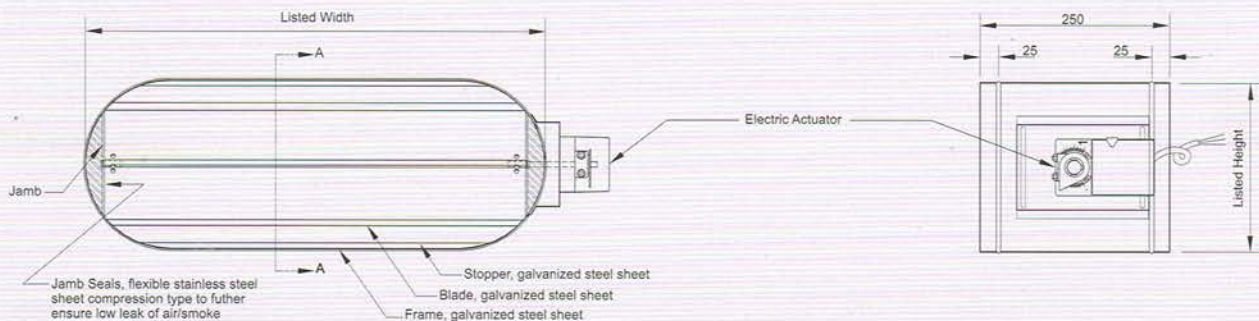
Constructed of galvanized steel sheet, flat oval shaped. Single flat oval blade can be controlled automatically by electric actuator from full open to full close. The electric actuator, wiring and terminal are also completely equipped. Suitable for mounting to flat oval duct lines to control volume of supply, exhaust or fresh air automatically.

Type : OML

Low Leak



Section A-A



Constructed of galvanized steel sheet, flat oval shaped. Blade edge seals are silicone edge type, mechanically locked into blade edges. Jamb seals are flexible stainless steel sheet compression type to further ensure low leak of air/smoke with Test Certificate in accordance with Underwriters Laboratories Inc. (UL), UL555S, Classification II ( Air/Smoke leakage shall be not greater than 10 CFM/ft<sup>2</sup> at pressure difference 1 in.wg., or 20 CFM/ft<sup>2</sup> at pressure difference 4 in.wg. ). Single flat oval blade can be controlled automatically by electric actuator from full open to full close. The electric actuator, wiring and terminal are also completely equipped. Suitable for mounting to flat oval duct lines to control volume of supply, exhaust or fresh air automatically where low leak is seriously needed.

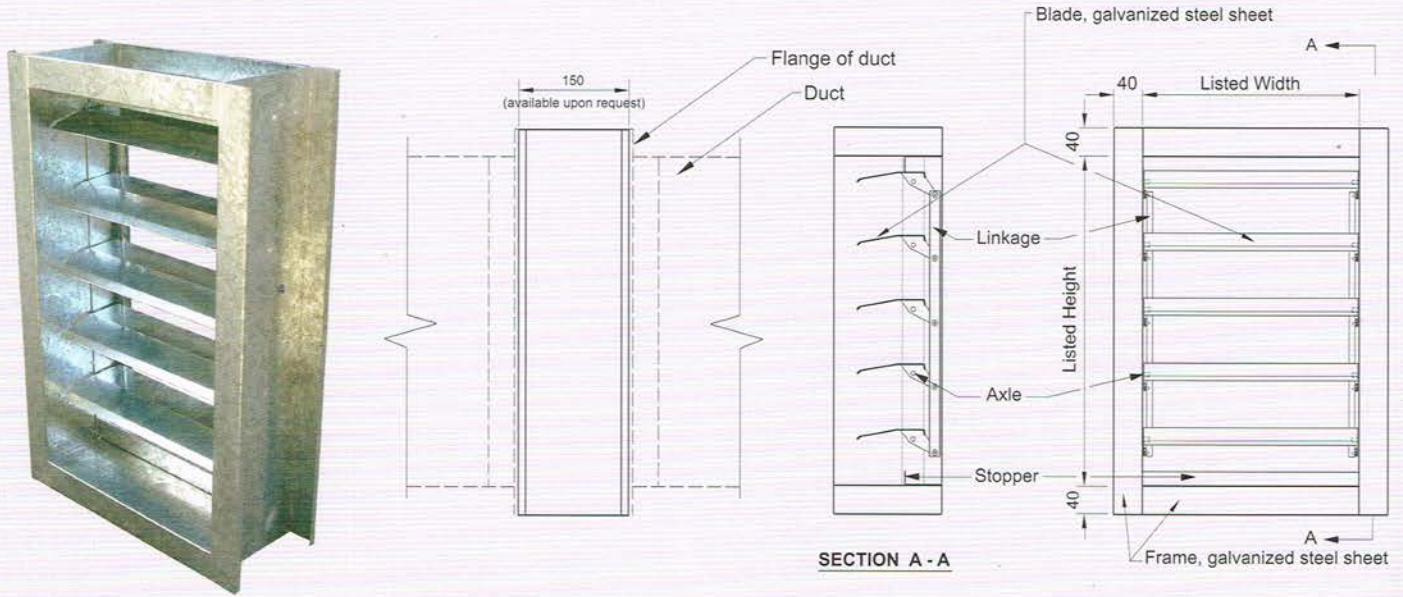
( Measurement : mm )

# Gravity Damper

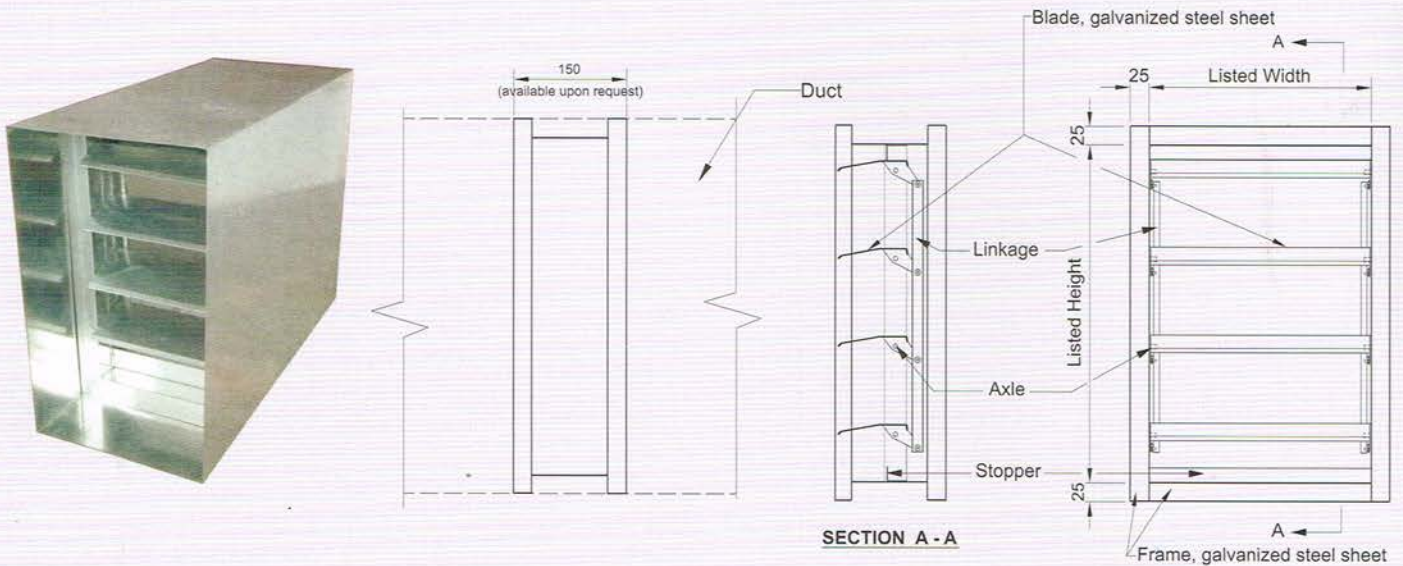


Type : GD

## Flange Type



## Plain End Type



Constructed of galvanized steel sheet, rectangular shaped, high strength structure. Blade(s) will be automatically opened when air flows to same direction as opening of blade(s) by air pressure, and will be automatically closed when air not flows or flows to reverse direction by gravity. So installation must always be vertical (upright). Suitable for mounting to duct lines, front of AHU blowers or ventilating fans to control air flow to only one direction, preventing air flow in reverse direction.

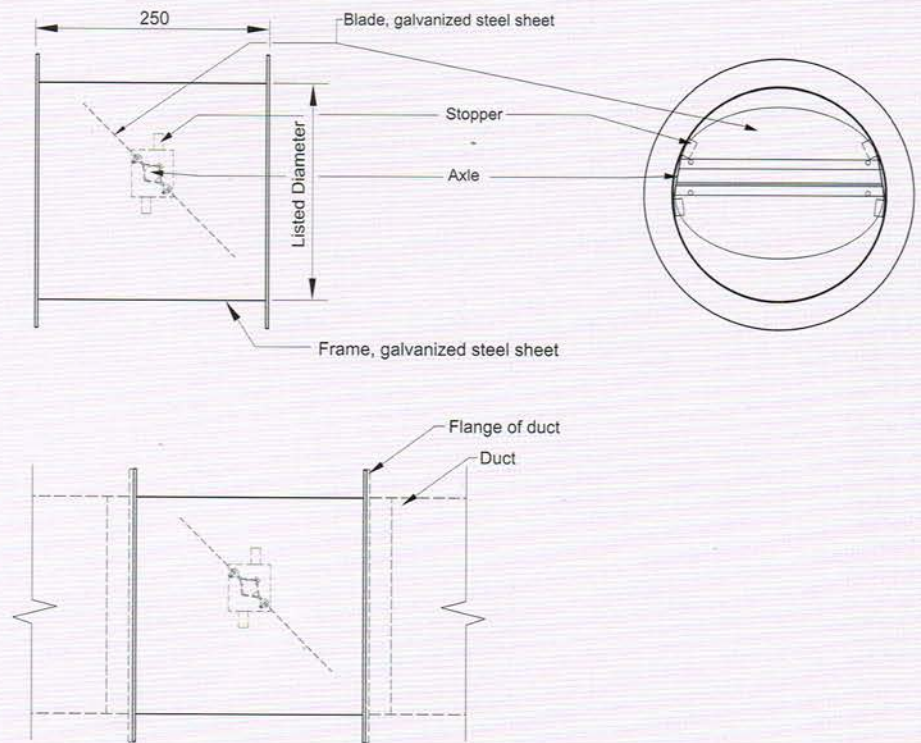
( Measurement : mm )

# Round Gravity Damper

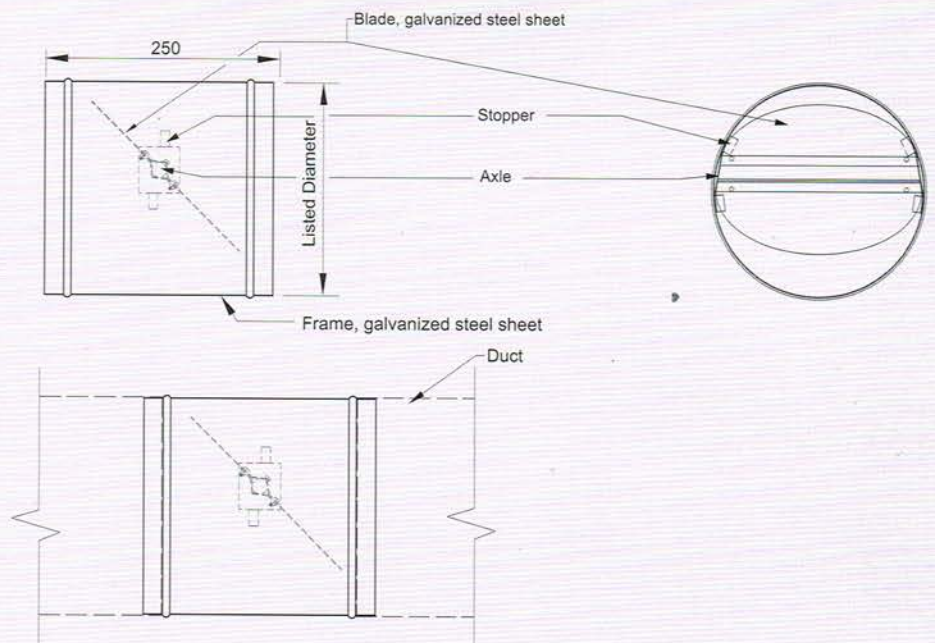


Type : RGD

## Flange Type



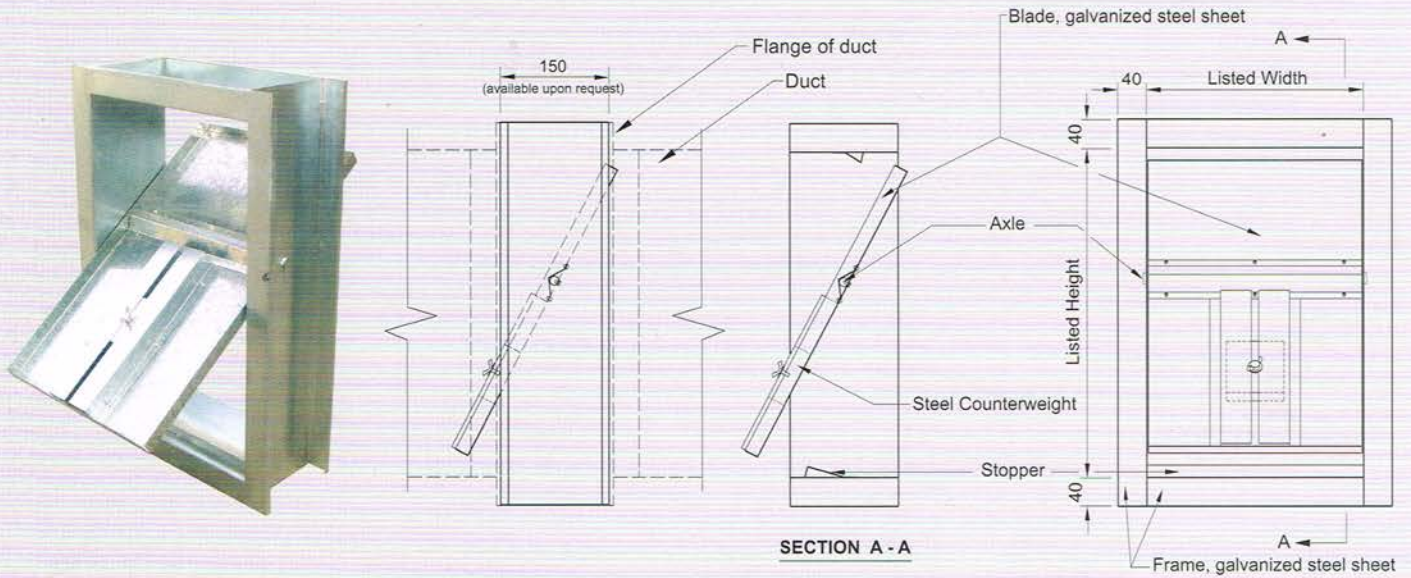
## Plain End Type



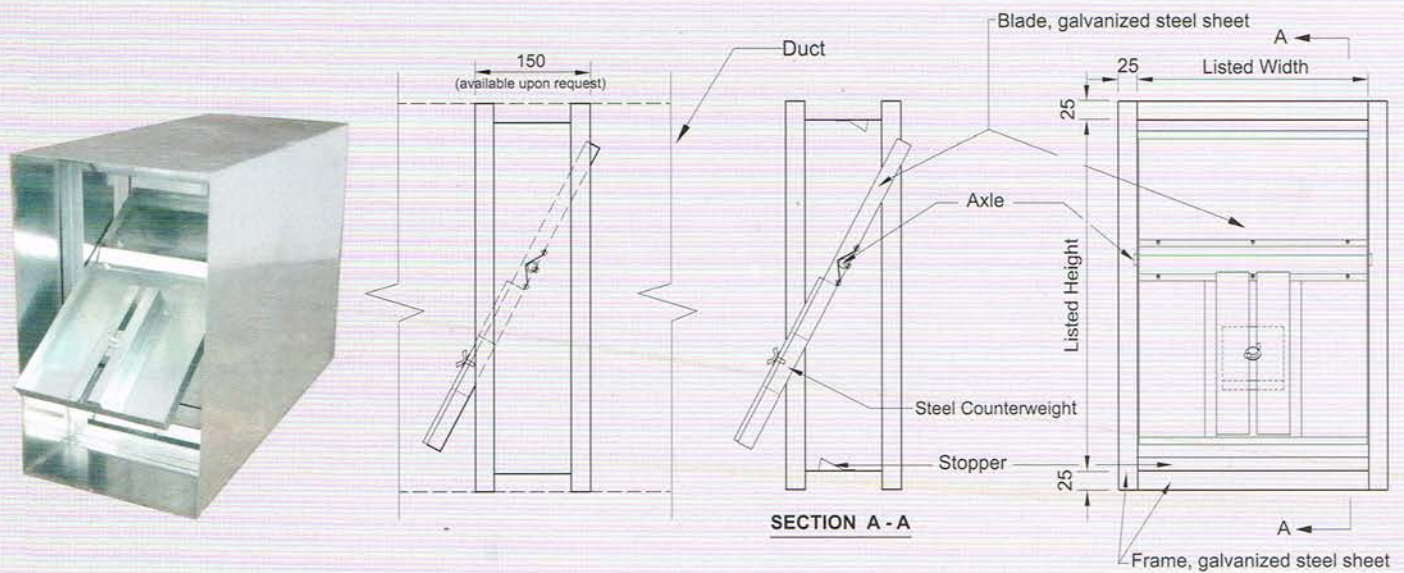
Constructed of galvanized steel sheet, round shaped, high strength structure. Single round blade (eccentric axle) will be automatically opened when air flows to same direction as opening of blade by air pressure, and will be automatically closed when air not flows or flows to reverse direction by gravity. So installation must always be vertical, the larger part of the blade must be lower part (upper part is the smaller part of the blade). Suitable for mounting to duct lines, front of AHU blowers or ventilating fans to control air flow to only one direction, preventing air flow in reverse direction.

Type : RD

## Flange Type



## Plain End Type



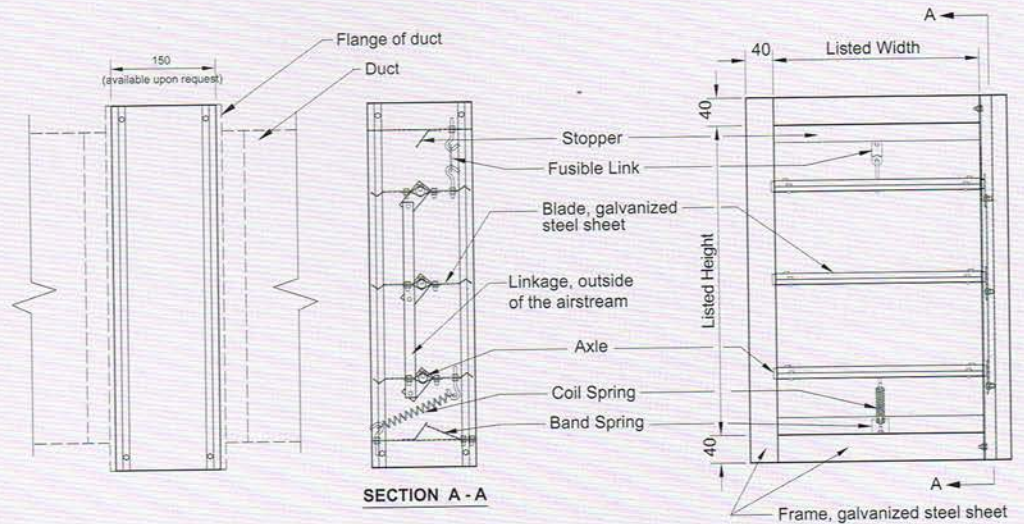
Constructed of galvanized steel sheet, rectangular shaped, high strength structure. Blade designed to be single blade and inclined position pattern, will be opened when air pressure is built up over the setting pressure, and will be closed when air pressure is under the setting pressure by adjusting (slide up-down, then lock) the steel counterweight (steel counterweight is also completely equipped). So installation must always be vertical (upright). Suitable for mounting to building sidewalls or shafts to control air pressure to be not exceed the specified pressure automatically.

# Fire Damper

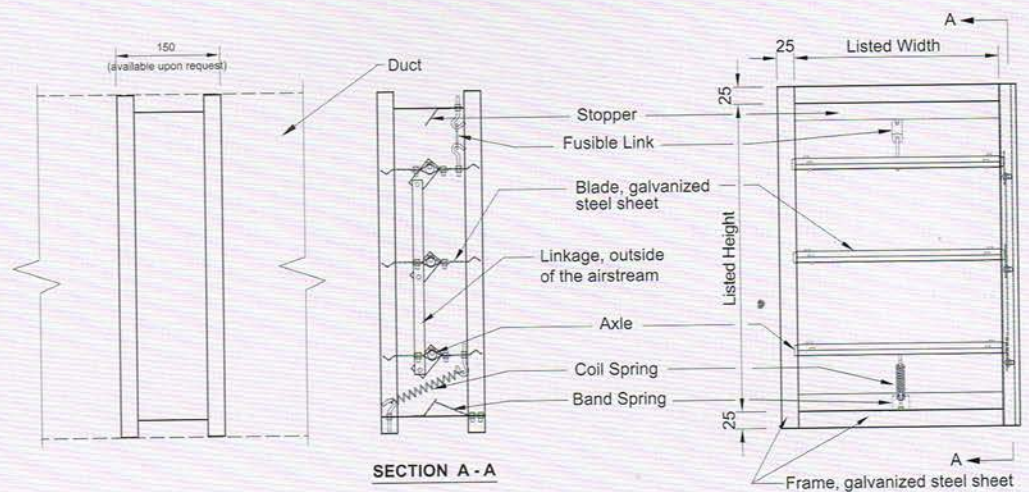


Type : FD

## Flange Type



## Plain End Type

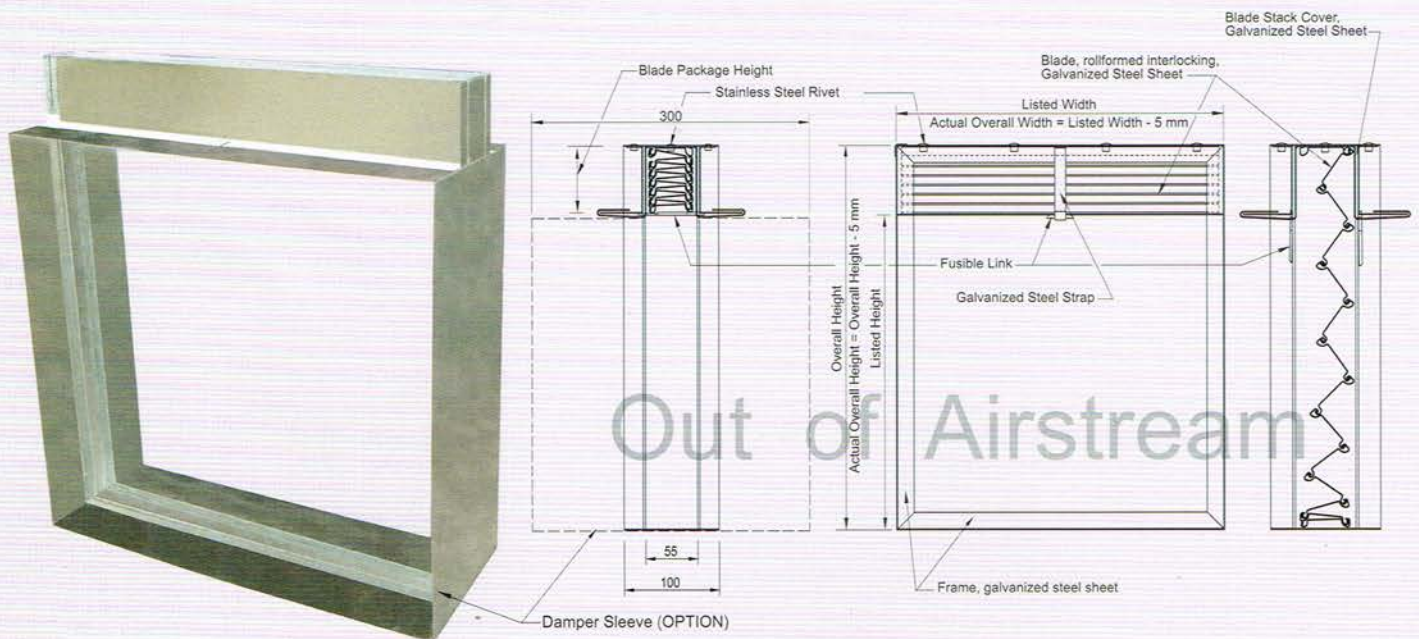
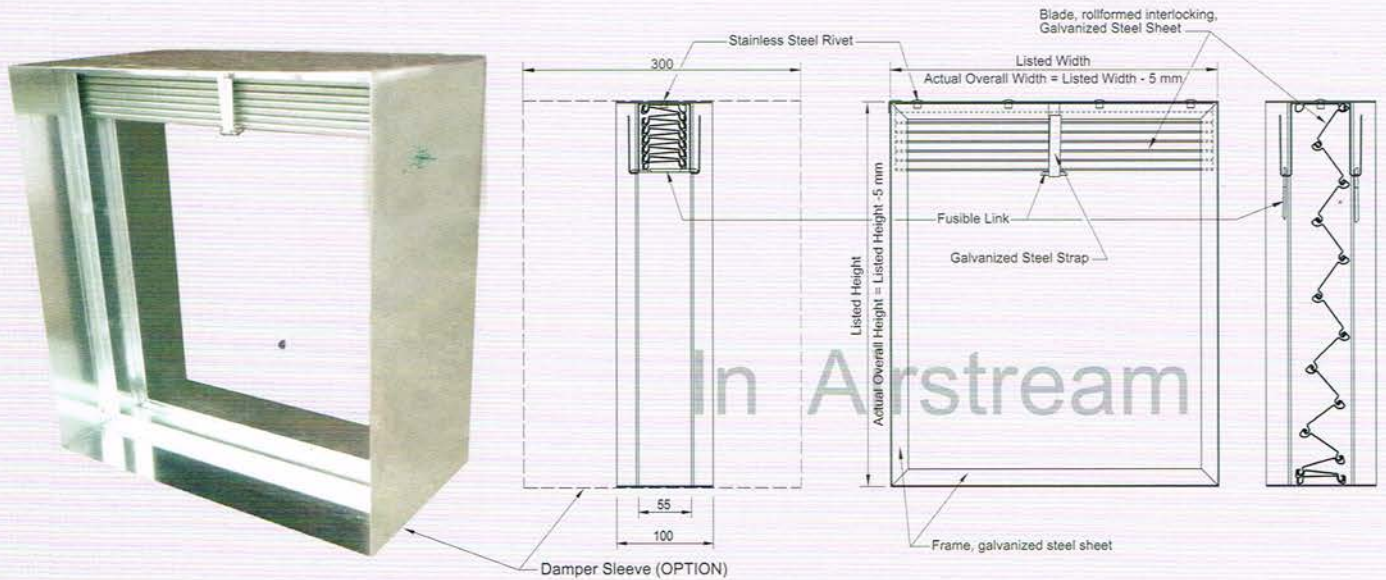


Constructed of galvanized steel sheet, rectangular shaped, high strength structure. Linkage designed to be outside of the airstream (concealed out side of the frame). It is 3 hour fire rating with Test Certificate in accordance with Underwriters Laboratories Inc., UL555, 3 Hour Fire Rating. Blade(s) are hold at full open position by fusible link UL Listed 165°F (74°C) temperature rating. Blade(s) will be automatically closed by coil spring force when fusible link break-away (when ambient temperature reaches temperature rating of the fusible link), and automatically locked immediately by flat bar spring. The fusible links are also completely equipped. So it is versatile installation in any position. When installation to duct lines, should provide an access doors at nearest of the damper for checking and servicing purposes. Suitable for mounting to or in duct lines, installed through openings in wall partitions or floors to prevent fire transfer through the openings in walls partitions or floors.

# Fire Damper, Curtain Type



Type : FDC



Constructed of galvanized steel sheet, rectangular shaped, high strength structure. Constructed and tested in accordance with UL555, UL classified 3 hour fire rating. Blade are opened and hold at full open position by fusible link UL Listed 165°F (74°F) temperature rating. Blades will be automatically closed by gravity when the fusible link break-away (when ambient temperature reaches temperature rating of the fusible link). It is designed to be used for Vertical installation only, both Static and Dynamic Systems. In Airstream and Out of Airstream, Single Section and Multiple Section are available upon request.

Suitable for mounting in duct lines installed through openings in walls or partitions to prevent fire transfer the openings in walls or partitions. It is strongly recommended that steel sleeves with full-perimeter steel retaining angles need to be ordered (OPTION) together with the dampers to ensure appropriate installation.

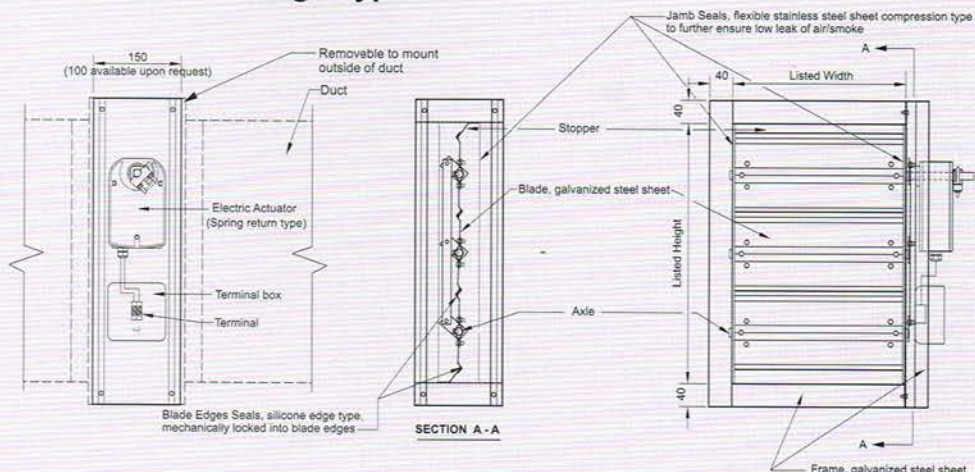
( Measurement : mm )

# Fire/Smoke Damper

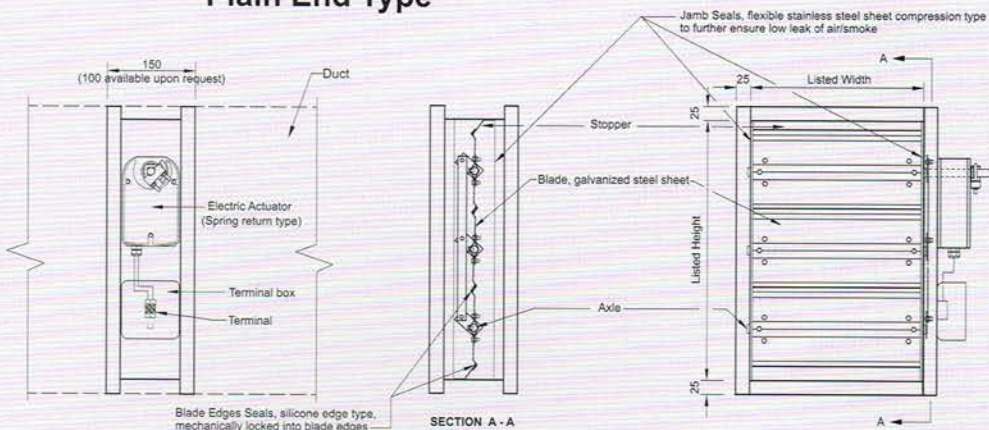


Type : FSD

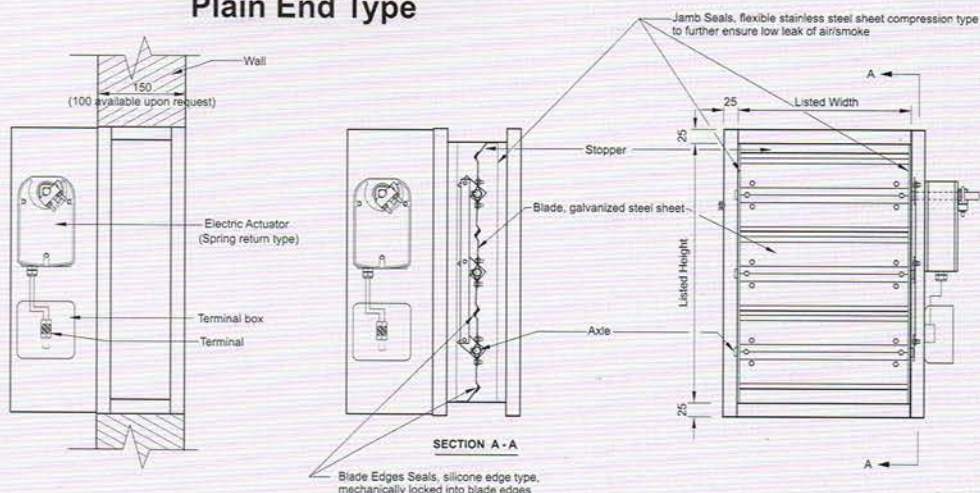
## Flange Type



## Plain End Type



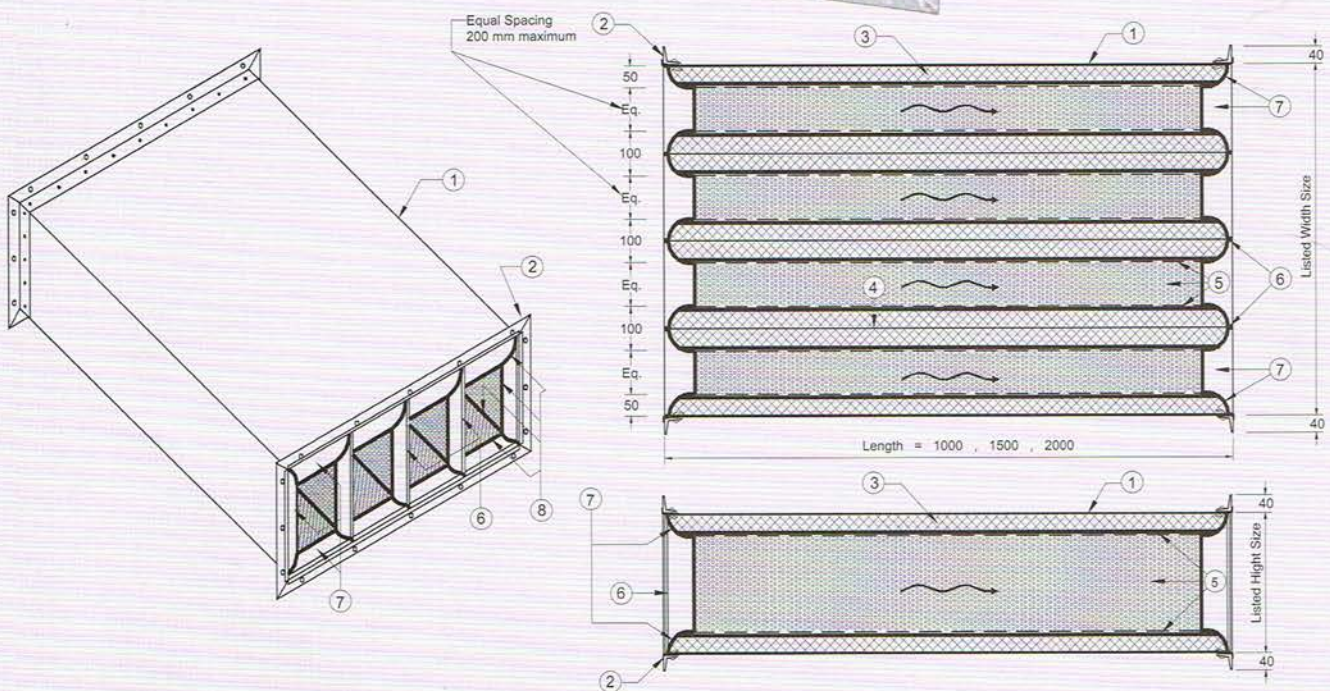
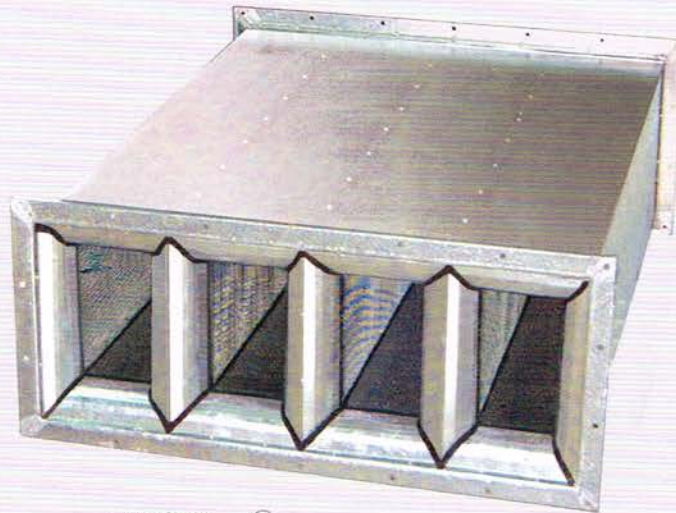
## Plain End Type



Constructed of galvanized steel sheet, rectangular shaped, high strength structure, flange type. Linkage designed to be outside of the airstream (concealed in frame). Blade edge seals are silicone edge type, mechanically locked into blade edges. Jamb seals are flexible stainless steel sheet compression type to further ensure low leakage of air/smoke. It is 3 hour fire rating and Classification II leakage as well with Test Certificate in accordance with Underwriters Laboratories Inc. (UL), UL555, 3 Hour Fire Rating, and UL555S, Classification II (Air/Smoke leakage shall be not greater than 10 CFM/ft<sup>2</sup> at pressure difference 1 in.wg., or 20 CFM/ft<sup>2</sup> at pressure difference 4 in.wg.). Blade(s) are held at full open position by the electric actuator, spring return type. Blade(s) will be automatically closed and locked within 20 seconds during fire conditions, smoke detection or power failure through the actuator closure springs. The electric actuators, spring return type, wiring and terminals are also completely equipped. Suitable for mounting to duct lines installed through openings in wall, partitions or floors to prevent fire/smoke transfer through the openings in walls, partitions or floors.

( Measurement : mm )

Type : DS



Constructed of galvanized steel sheet, rectangular shaped, high strength structure, flange type. All inside casing as well as flat panel baffle(s) are lined by fiberglass insulation 48 kg/m<sup>3</sup> dense, 50 mm thick with glass cloth facing and covered with perforated galvanized steel sheet for protecting all fiberglass surfaces from erosion. Both ends of flat panel baffle(s) and all edges of fiberglass at entrance and exit of duct silencer are covered with galvanized steel sheet for protecting all fiber glass edges. All joints of perforated galvanized steel sheets, all joints between solid rounded noses, solid bell mouths and perforated galvanized steel sheets are sealed by silicone sealant to further ensure full protection of all fiberglass edges. High Dynamic Insertion Loss, Low Static Pressure Drop with Test Certificate in accordance with Standards Australia (AS), AS 1277. Suitable for mounting to rectangular duct line or generator set room sidewall for noise reduction from its noise source effectively.

## FEATURES

- ① Casing, constructed of galvanized steel sheet.
- ② Flanges, constructed of steel angle bar, riveted to casing and attached to small flange formed from the casing edge to ensure rigidity and without leakage.
- ③ Internal liner, all inside casing are lined by fiberglass insulation 48 kg/m<sup>3</sup> dense, 50 mm thick with glass cloth facing.
- ④ Acoustic Flat Panel Baffle(s), constructed of galvanized steel sheet covered with fiberglass insulation 48 kg/m<sup>3</sup> dense, 50 mm thick with glass cloth facing around the galvanized steel sheet. The width of acoustic flat panel baffle(s) spacing for air passages in range of 125-175 mm
- ⑤ Perforated Sheets, all surfaces of fiberglass with glass cloth facing are covered by perforated galvanized steel sheet for protecting all fiberglass surfaces from erosion.
- ⑥ Solid Rounded Noses, both ends of acoustic flat panel baffle(s) are covered with galvanized steel sheet as solid rounded noses for protecting all fiberglass edges and increasing noise reduction.
- ⑦ Solid Bell Mouths, all edges of fiberglass at entrance and exit of rectangular duct silencer are covered with galvanized steel sheet as solid bell mouths for protecting all fiberglass edges and minimizing air turbulence.
- ⑧ Silicone Sealants, sealed all joints of perforated galvanized steel sheets, all joints between solid rounded noses, solid bell mouths and perforated galvanized steel sheets to further ensure full protection of all fiberglass edges.

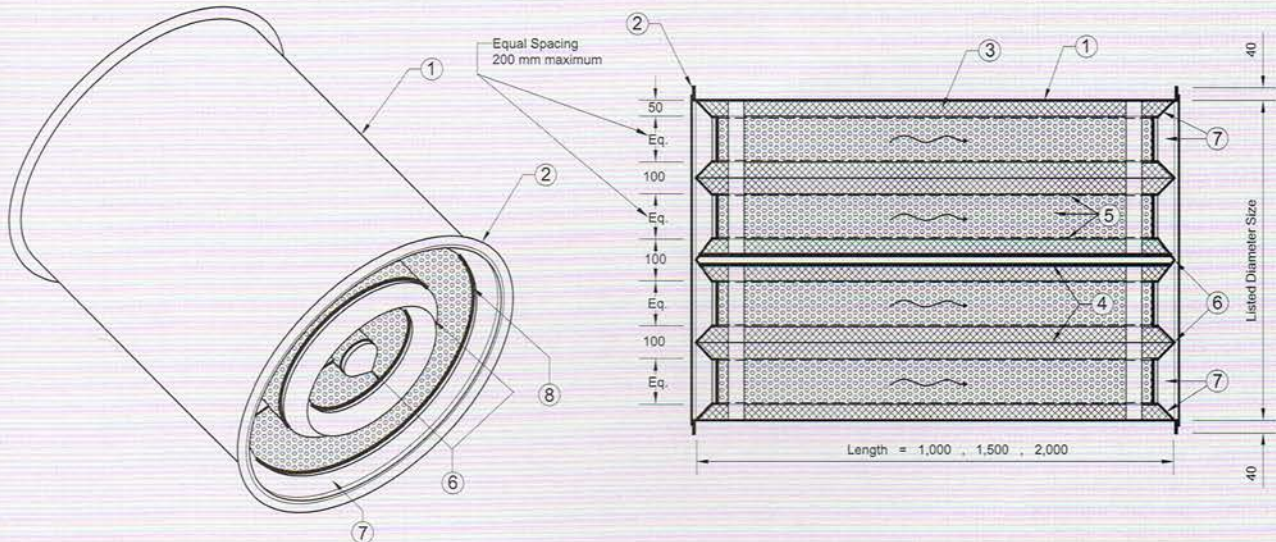
( Measurement : mm )



# Round Duct Silencer



Type : RDS



Constructed of galvanized steel sheet, round shaped, high strength structure, flange type. All inside casing as well as circular baffle(s) are lined by fiberglass insulation 48 kg/m<sup>3</sup> dense, 50 mm thick with glass cloth facing and covered with perforated galvanized steel sheet for protecting all fiberglass surface from erosion. Both ends of acoustic circular baffle(s) and all edges of fiberglass at entrance and exit of duct silencer are covered with galvanized steel sheet for protecting all fiberglass edges. All joints of perforated galvanized steel sheets, all joints between solid circular noses, solid bell mouths and perforated galvanized steel sheets are sealed by silicone sealant to further ensure full protection of all fiberglass edges. High Dynamic Insertion Loss, Low Static Pressure Drop with Test Certificate in accordance with Standards Australia (AS), AS 1277. Suitable for mounting to round duct line or axial fan for noise reduction from its noise source effectively.

## FEATURES

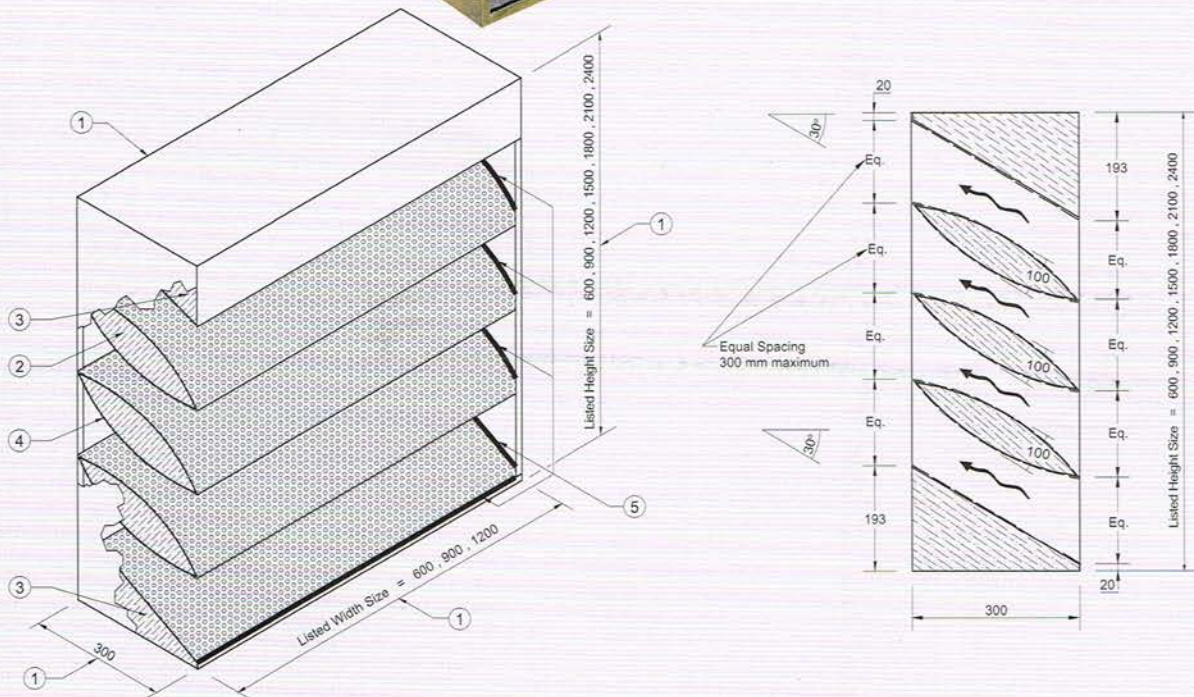
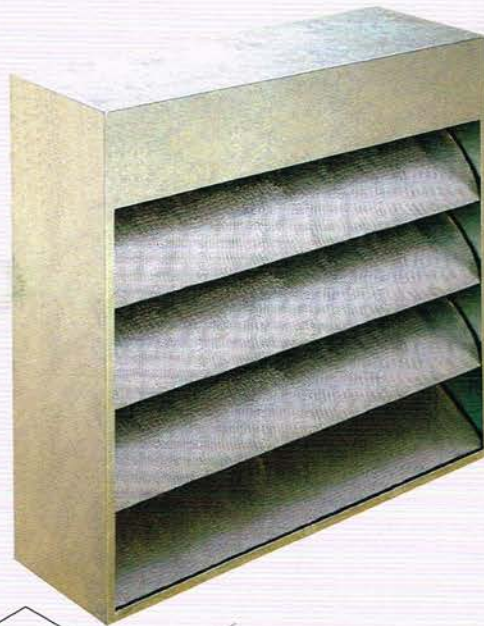
1. Casing, constructed of galvanized steel sheet.
2. Flanges, constructed of heavy gauge steel plate, welded to casing and attached to small flange formed from the casing edge to ensure rigidity and without leakage.
3. Internal liner, all inside casing are lined by fiberglass insulation 48 kg/m<sup>3</sup> dense, 50 mm thick with glass cloth facing.
4. Acoustic Circular Baffle(s), constructed of galvanized steel sheet covered with fiberglass insulation 48 kg/m<sup>3</sup> dense, 50 mm thick with glass cloth facing around the galvanized steel sheet. The width of acoustic circular baffle(s) spacing for air passages in range of 115-200 mm.
5. Perforated Sheets, all surfaces of fiberglass with glass cloth facing are covered by perforated galvanized steel sheet for protecting all fiberglass surfaces from erosion.
6. Solid Circular Noses, both ends of acoustic circular baffle(s) are covered with galvanized steel sheet as solid circular noses for protecting all fiberglass edges and increasing noise reduction.
7. Solid Bell Mouths, all edges of fiberglass at entrance and exit of round duct silencer are covered with galvanized steel sheet as solid bell mouths for protecting all fiberglass edges and minimizing air turbulence.
8. Silicone Sealants, sealed all joints of perforated galvanized steel sheets, all joints between solid circular noses, solid bell mouths and perforated galvanized steel sheets to further ensure full protection of all fiberglass edges.

( Measurement : mm )

# Acoustic Louver



Type : ACL



Constructed of galvanized steel sheet, rectangular shaped, high strength structure. The casing is designed in modular sizes for enabling assembly of rectilinear louver wall of almost any size. Blade(s) are airfoil shaped, constructed of perforated galvanized steel sheet, inside the blade(s) are compressed firmly with fiberglass insulation 48kg/m<sup>3</sup> dense with glass cloth facing, to ensure solid packing in the blade(s) without any erosion of fiberglass surfaces, for maximum noise reduction with minimum pressure drop. Head and Base of the louver are also compressed firmly with fiberglass insulation 48 kg/m<sup>3</sup> dense with glass cloth facing, and covered by perforated galvanized steel sheet, inclined plane to the same angle of the blade. Splitter-Blade(s) orientation block(s) horizontal line of sight for enhancing both aesthetics and acoustic performance. All edges of the blade(s), as well as head and base of the louver are sealed by silicone sealant to further ensure full protection of all fiberglass edges. Suitable for mounting to machine room sidewall for ventilation with noise reduction from its noise source effectively.

## FEATURES

- ① Casing, constructed of galvanized steel sheet, modular sizes enable assembly of rectilinear louver wall of almost any size.
- ② Blade(s), airfoil shaped, splitter-blade(s) constructed of perforated galvanized steel sheet, inside the blade(s) are compressed firmly with fiberglass insulation 48 kg/m<sup>3</sup> dense with glass cloth facing, to ensure solid packing in the blade(s) without any erosion of fiberglass surfaces, for maximum noise reduction with minimum pressure drop.
- ③ Head and Base of the louver are also compressed firmly with fiberglass insulation 48 kg/m<sup>3</sup> dense with glass cloth facing, and covered by perforated galvanized steel sheet, inclined plane to the same angle of the blade.
- ④ Splitter-Blade(s) orientation block(s) horizontal line of sight for enhancing both aesthetics and acoustic performance.
- ⑤ Silicone Sealants, sealed all edges of the blade(s), as well as head and base of the louver to further ensure full protection of all fiberglass edges.

( Measurement : mm )

**XXX-XX**

## Type :-

<b>VD</b>	=	Volume Damper, Ordinary
<b>VL</b>	=	Volume Damper, Low Leak
<b>MD</b>	=	Motorized Damper, Ordinary
<b>ML</b>	=	Motorized Damper, Low Leak
<b>RVD</b>	=	Round Volume Damper, Ordinary
<b>RVL</b>	=	Round Volume Damper, Low Leak
<b>RMD</b>	=	Round Motorized Damper, Ordinary
<b>RML</b>	=	Round Motorized Damper, Low Leak
<b>OVD</b>	=	Flat Oval Volume Damper, Ordinary
<b>OVL</b>	=	Flat Oval Volume Damper, Low Leak
<b>OMD</b>	=	Flat Oval Motorized Damper, Ordinary
<b>OML</b>	=	Flat Oval Motorized Damper, Low Leak
<b>GD</b>	=	Gravity Damper
<b>RGD</b>	=	Round Gravity Damper
<b>RD</b>	=	Relief Damper
<b>FD</b>	=	Fire Damper
<b>FDC</b>	=	Fire Damper, Curtain Type
<b>FSD</b>	=	Fire/Smoke Damper
<b>DS</b>	=	Duct Silencer
<b>RDS</b>	=	Round Duct Silencer
<b>ACL</b>	=	Acoustic Louver

## Size (mm) :-

<b>Figure x Figure</b>	=	Width x Height
<b>Figure x Figure x Figure</b>	=	Width x Height x Length/Depth
<b>∅ Figure x Figure</b>	=	Diameter x Length
<b>∅ Figure</b>	=	Diameter

<b>Example :</b>	<b>VD-300x600</b>	=	Volume Damper, Ordinary, Size 300 mm (Width) x 600 mm (Height)
	<b>RVL- 400</b>	=	Round Volume Damper, Low Leakage, Size 400 mm (Diameter)
	<b>FSD-1200x600</b>	=	Fire/Smoke Damper, Size 1200 mm (Width) x 600 mm (Height)
	<b>FDC-1200x600</b>	=	Fire Damper, Curtain Type, Size 1200 mm (Width) x 600 mm (Height)
	<b>DS-1200x900x1500</b>	=	Duct Silencer, Size 120 mm (Width) x 900 mm (Height) x 1500 mm (Length)
	<b>RDS- 1000x1500</b>	=	Round Duct Silencer, Size 1000 mm (Diameter) x 1500 mm (Length)
	<b>ACL-900x1500x300</b>	=	Acoustic Louver, Size 900 mm (Width) x 1500 mm (Height) x 300 mm (Depth)

# Duct Dampers Silencers



## SUPA RICH COMPANY LIMITED

27 Ramintra Soi48

Ramintra Rd.,Ramintra,

Khannayao,Bangkok 10230

Tel : +662 509 4438

Fax : +662 509 4088

Email : spr\_suparich@yahoo.co.th

[www.suparich.co.th](http://www.suparich.co.th) , [www.doorandlockset.com](http://www.doorandlockset.com)



บริษัท สุภริช จำกัด

27 ซอยรามอินทรา 48 แขวงรามอินทรา เขตคันนายาว กรุงเทพฯ 10800

โทร : 02-509-4438 แฟกซ์ : 02-509-4088